

Data Sheet

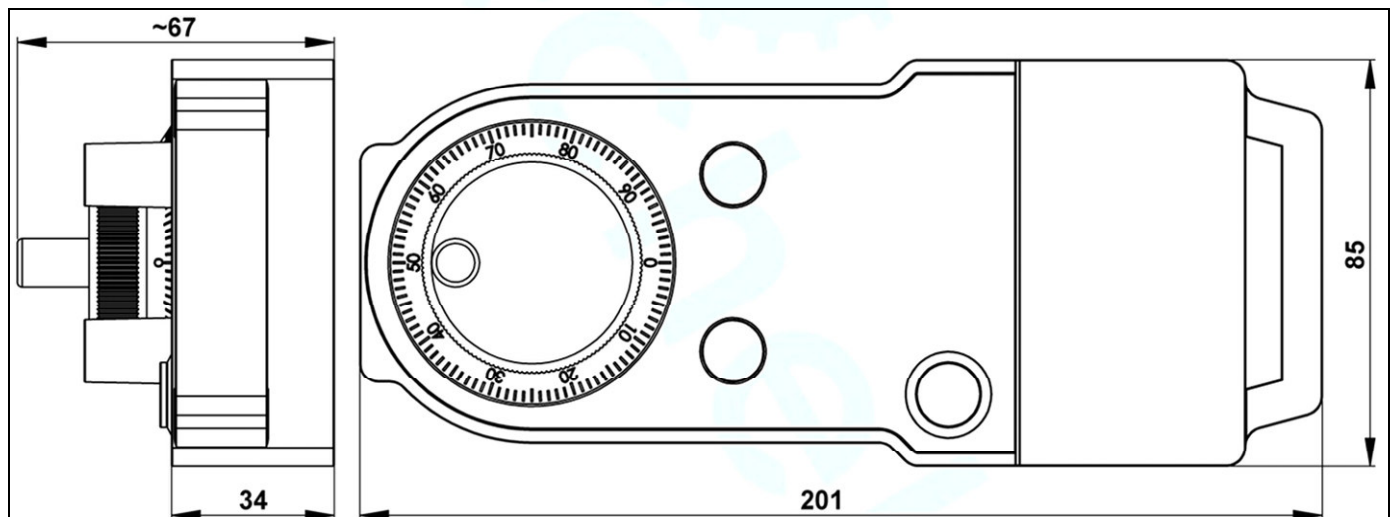
XHC WHB04B-6

Introduction



The wireless handwheel for CNC machines offers a modern and practical solution for controlling your machines. It has been developed to ensure precise and efficient operation without the need for disturbing cable connections. Whether you are an experienced user or a newcomer, this handwheel enables intuitive and flexible control of your CNC machine.

Technical Data



* without shock protection

Power supply	3 V (2x AA Battery, not included in the scope of delivery)
Frequency range	433,05 – 434,79 MHz (ISM)
Modulation type	FSK
Operating bandwidth	113,04 kHz
Maximum transmitting power	10 dBm
IP class	40
Range	ca. 25 m with line of sight

Scope of delivery

- Wireless Handwheel WHB04B-6
- USB-Dongle WHB04B-6
- Shock protection for WHB04B-6
- Rotary Knob incl. fastening screw WHB04B-6
- Bracket incl. 2 Screws, M4x20 and Nuts

Compatibility

- Windows 10/11
- Mach3